

東京ロボット

TOKYOROBOT
機械仕掛けの神々

Electric assist BABYcar 繭「CoCoon」

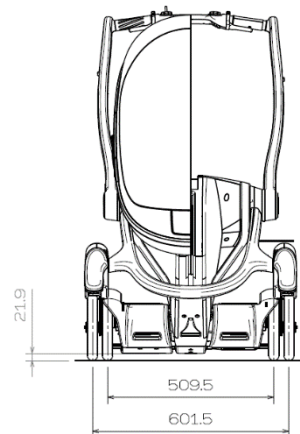
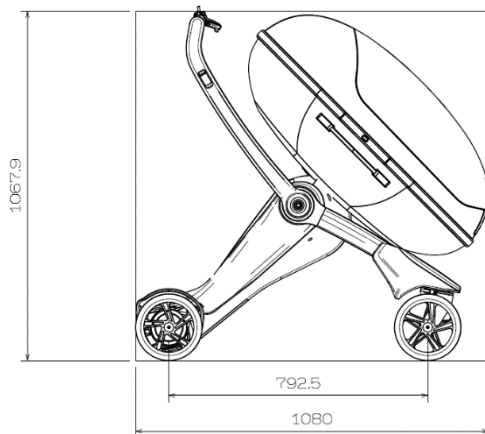
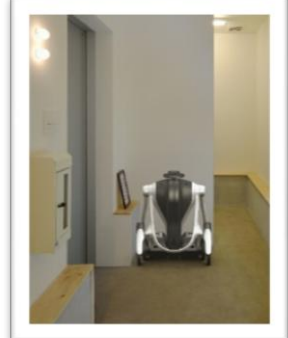
【Assist mode】



【Ride mode】



【Hold mode】



Specification table

ITEM		UNIT	Assist mode	Ride mode	Hold mode	NOTE
size	length	mm	1080	1132	544	
	width	mm	648	648	648	
	height	mm	1068	1034	750※	※frame only
	wheel base	mm	792	910	221	
	tread(F/R)	mm	601/509	601/509	601/509	
	minimum ground height	mm	21	29	10	
weight・capacity	vehicle ridership	person	1	2※	-	※1child and 1 contronllor
	maximum authorized freight mass	kg	20	80	-	
	vehicle body wight	kg	50	50	30※	※frame only
capacity	minimum turning radius	m	1	1	-	
	sincerity turning radius	kmh	6	6	-	
	maximum speed	%	10%以下	-	-	
	cruising range	km	20	12	-	flatland constant speed
motor	driving system	way	<small>back wheel (R) and left independent drive</small>	<small>back wheel (R) and left independent drive</small>	-	
	motor form	way	DCモーター	DCモーター	-	
	loading numbers	mount	2(左右)	2(左右)	-	
	total stiff output	W	200×2	200×2	-	
	stiff turning number	rpm	500	500	-	
battery	battery connection	method	2 direct	2 direct	-	
	battery voltage(nominal)	V	26.4	26.4	-	
	charing method	method	AC	AC	-	
brake	method	method	back wheel	back wheel	-	
tire	front wheel	incl(mm)	8.25 (209)	8.25 (209)	8.25 (209)	
	back wheel	incl(mm)	8.25 (209)	8.25 (209)	8.25 (209)	